



ANDHRA PRADESH STATE ROAD TRANSPORT CORPORATION

Office of the: VC&MD,
RTC-House, Vijayawada,
Dt.05.04.2019.

No: TL5/286(1)/2018-19-MED

To
All Regional Managers,
A P S R T C.

Sub: **TVG Buses:** Provision of single seat in TVG buses for conductors
- Certain instructions communicated - Reg.
Ref:1) Lr No.TL5/286(1)/2018-19-MED, dt.02.01.2019.
2) Lr No.TL5/286(1)/2018-19-MED, dt.21.01.2019.

With reference to the subject, vide references cited above, it was already communicated to all RMs to provide single seat for conductors in all existing TVG buses of Corporation and compliance was also received from all the Regions that the single seat was provided for all the TVG buses in respective depots.

Of the late, it is noted that the single seat provided for conductors is not at all comfortable and frequent complaints are received from some conductors. The single seats were provided by the depots by utilising the available single seat or by cutting the twin seater into single seat which is not inconvenient to the conductors. Further, it is noticed that the single seat for conductor is not provided in Hire buses which are plying with APSRTC.

To avoid such complaints from the field and other taking feedback from conductors, the following instructions are given to provide a comfortable seat to the conductor in TVG buses **including Hire buses.**

- 1) Size of the seat bottom:500 mm width & 400 mm depth.
- 2) Height of the seat: 445 mm
(From floor to cushion top)
- 3) To provide the handles with arm pad on both sides.
- 4) Seat should be provided by keeping 150 mm distance away from the truss panel.
- 5) The seat may be provided as per the drawing shown on the over leaf of this letter.
- 6) To provide a box, 100mm below waist level, with locking arrangement for safe custody of TIM to the truss panel besides the conductor seat(275mmX120mmX75mm).

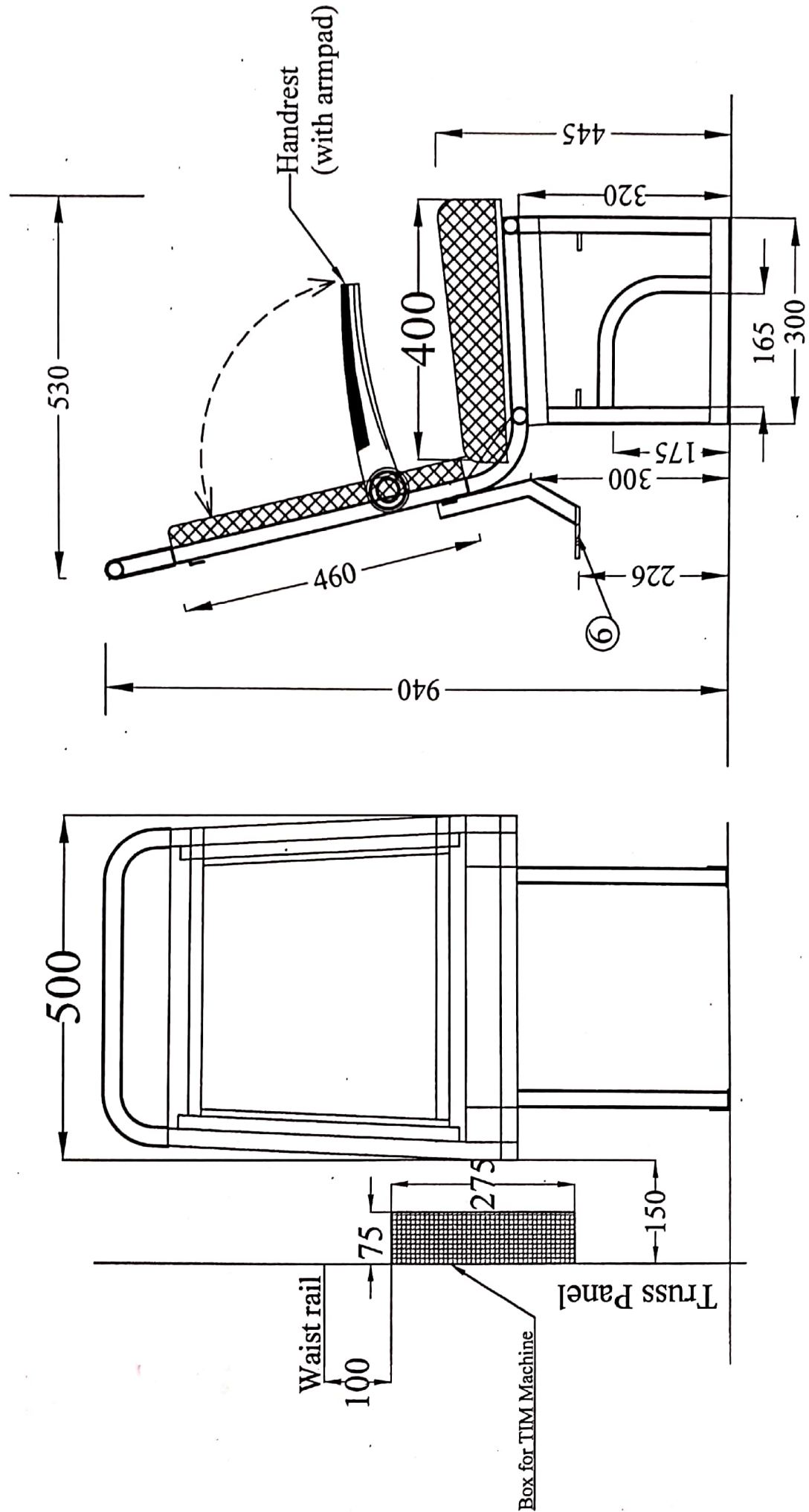
Hence, all the Regional Managers are once again requested to instruct the DMs concerned to provide single seat which is comfortable to the conductor & to avoid complaints on the same please.

Executive Director(Engg)

Copy to All ED(Zones) for information.
Copy to All Dy.CMEs for information and necessary action.

P.T.O

Conductor single seat in Telugu Velugu



Note: All dimensions are in mm